

DT-7000

Distribuidor República Dominicana  
[www.trinet.com](http://www.trinet.com)

# P5800 Branch Cash Recycler



As modern branch footprints continue to shrink, recycling technology must be designed to fit into more space-constrained areas. By providing high processing efficiency, big capacity and bulk cash recycling capability, P5800 is the ideal solution for financial institutions to meet requirements of branch automation and create a perfect environment to focus more on customer service and sales.

## Flexible and Secure Cash Handling

P5800 enables flexible settings of deposit, withdrawal and recycling configuration, minimizes Cash-in-Transit cost with real time cash management and secures cash with Serial Number Tracking technology, accurate note authentication and sorting.

# P5800 Branch Cash Recycler

## Features

**Optimized Configuration:** Flexibly configurable to cash deposit only, dispensing only, cash deposit and dispensing or cash recycling, easily meeting requirements of different transaction regulations and networks.

**Unrivalled Innovation:** The intelligent cassette can be exchanged among P5800, GRG P2800 Series deposit machines and Cash recyclers to reduce cash handling cost. Comprehensive software solution offers a multi-parties' remote monitoring and management.

**Premier Security:** UL291 Level 1 safe, built-in fraud resistant card-reader, optional vibration alarm and remote monitoring software solution ensure a secure transaction environment. PCI EPP is available on P5800, which enables P5800 to be suitable for self-service application.

**Serial Number Tracking (opt.):** Featured with the OCR technology, P5800 is capable of capturing serial number of notes, Serial number can be used for fraud and deposit shrinkage management as it makes the cash management transparent and traceable.

## Specifications

### Controlling Unit

- ◆ Intel® Atom™ D2550 1.86G CPU, 4G RAM
- ◆ 500G HDD
- ◆ Windows® 7

### Banknote Processing Unit

- ◆ Deposit/Dispensing speed: 8 notes per second
- ◆ Escrow capacity: 200 notes
- ◆ Up to 4 recycling cassettes and 1 acceptance cassette
- ◆ Cassette capacity: max. 3,000 notes \*
- ◆ Acceptance cassette capacity: max. 2,000 notes

### Customer Interfaces

- ◆ Display:
  - 7" LCD touch screen
- ◆ Keypad:
  - Tactile 4\*4 alphanumeric keypad
  - PCI compliant EPP
- ◆ Card reader:
  - Motorized card reader, Hi-Co & Lo-Co track read
  - Anti-skimming design
  - Card return on power failure (opt.)
  - DIP card reader (opt.)
- ◆ Receipt printer:
  - 48mm 203DPI graphical thermal printer
- ◆ Contactless card reader/ Fingerprint scanner (opt.)
- ◆ Barcode reader (opt.)

### Communication

- ◆ Standard TCP-IP connection

\*The actual capacity is subject to the thickness and fitness of local currency.

### Security

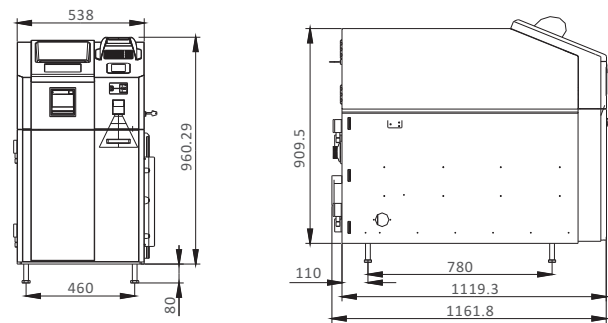
- ◆ Physical:
  - Mechanical combination lock
  - Electronic lock (opt.)
  - Standard UL291 Level 1 safe
- ◆ PIN Pad shield
- ◆ EMV compliant
- ◆ Contactless IC card reader compliant with QPBOC

### Working Environment

- ◆ Temperature:
  - Indoor: 32°F (0 °C) to 104°F (40°C)
  - Outdoor: -31°F (-35 °C) to 122°F (50°C)
  - (Optional heating unit is required )
- ◆ Relative humidity: 20% to 95% non-condensing

### Dimensions & Weight

- ◆ Height: 37.8 in. (960.3mm)      Width: 21.2 in. (538mm)
- ◆ Depth: 45.7 in. (1161.8mm)      Weight: 1013bs (460kg)



### GRGBanking Equipment Co., Ltd.

9 Kelin Road, Science City, Luogang District, Guangzhou, China, 510663

Tel: +86-20-6287 8545

Fax: +86-20-6287 9976

E-mail: atm@grgbanking.com

Specifications are subject to update without prior notice.  
Please consult GRGBanking or its representative for the latest information.

## TRAINET

Distribuidor República Dominicana  
www.trainet.com

Copyright by GRGBanking Equipment Co., Ltd.  
All rights reserved.

www.GRGBanking.com

V201508